

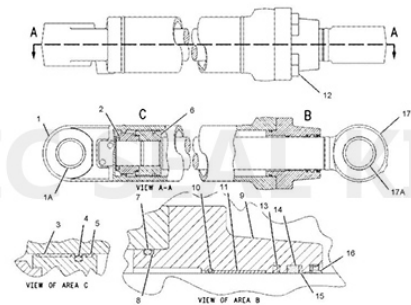
CT-1764914 SEAL KIT 90X130 mm Aftermarket



Part Number: CT-1764914 SEAL KIT

OEM Reference Number: 1764914

ROD: 90 mm, BORE: 130 mm



Hydraulic Cylinder Seal Kit Components			
Items	Brand	Material	Color
Rod Seals	NOK/SKF/H605/SPRS	Urethane (TPU)	Ivory/Blue/Gray
Buffer Seals	JSPSEAL/SPRS	Urethane+PA or PTFE Bronze+NBR	Ivory/Purple
Wipers	JSPSEAL/SPRS	Urethane+Metal or NBR+Metal	Ivory/Black
Piston Seals	JSPSEAL	PTFE Bronze+NBR+PA OR Nylon+NBR	Brown/Green/Gold
Wear Rings	JSPSEAL	Phenolic Resion Cotton Fabric or PTFE Bronze	Brown/Blue/Yellow
Backup Rings	JSPSEAL	PA or PTFE or PTFE Bronze	Black/White/Brown
O-Rings	JSPSEAL	NBR (Hardness 90 Shore A)	Black

Catalogs:

SERIAL NUMBER(s) - Note: This kit applies to the following models, cylinders, and serial numbers. This kit may also apply to other models, cylinders, and serial numbers not currently listed below.

EXCAVATORS, 320B, BUCKET, CYL #: 1232044, SERIAL #: GPA1-UP; MDY1-UP
EXCAVATORS, 320BL, BUCKET, CYL #: 1232044, SERIAL #: GPA1-UP; MDY1-UP
EXCAVATORS, 322C, BUCKET, CYL #: 1232044, SERIAL #: BKM1-UP; BLP1-UP
EXCAVATORS, 325B, BUCKET, CYL #: 1232044, SERIAL #: JJG1-UP; LAB1-UP; SYM1-UP
EXCAVATORS, 325BL, BUCKET, CYL #: 1232044, SERIAL #: JJG1-UP; LAB1-UP; SYM1-UP

MISCELLANEOUS INFORMATION – Note: Some of the miscellaneous information is model specific. For this reason, all miscellaneous information is presented by make, model, etc.

EXCAVATORS, 325B, BUCKET, CYL #: 1232044, MISC INFO: 325BL Only
EXCAVATORS, 325BL, BUCKET, CYL #: 1232044, MISC INFO: 325BL Only

*All manufacturer's names, part numbers and descriptions are used for reference purposes only. We do not imply that any part shown is the product of these manufacturers. We also do not imply that the list price shown is exactly that of the manufacturer.

Product link : <https://www.jspseal.com/ct-1764914-seal-kit-90x130-mm-aftermarket.html>